

Technical data sheet

Product features



Worktop with drawer with cabinet

Model

SAP Code

00008293



– Material: AISI 304

Technical data sheet

Technical drawing

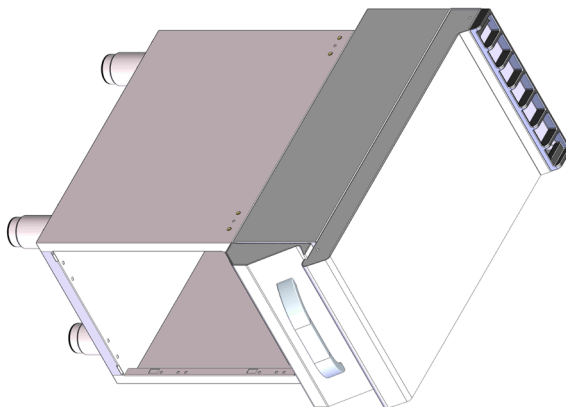
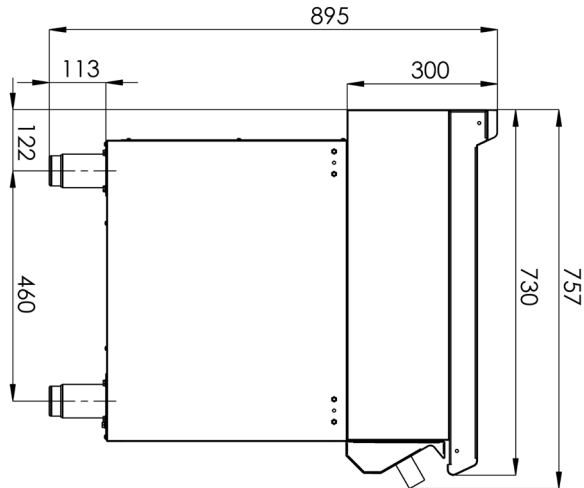
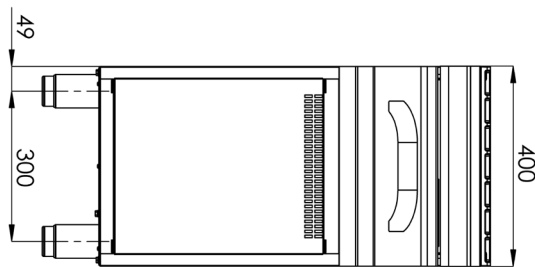


Worktop with drawer with cabinet

Model

SAP Code

00008293



Technical data sheet

Technical parameters



Worktop with drawer with cabinet

Model

SAP Code

00008293

1. SAP Code:

00008293

6. Gross Width [mm]:

440

2. Net Width [mm]:

400

7. Gross depth [mm]:

800

3. Net Depth [mm]:

730

8. Gross Height [mm]:

1080

4. Net Height [mm]:

900

9. Gross Weight [kg]:

41.50

5. Net Weight [kg]:

35.30

10. Material:

AISI 304